

Model **PANKY**



Technical Information

Frame	Frame of pine wood and MDF
Seat Suspension	N.E.A. 10 Years Guarantee
Back Suspension	
Seat Foam	Polyurethane 35kg+fibre
Seat Firmness	Medium Foam (white) *
Back Cushions	Fibre fibersilk 100%
Loose Cushions	Fibersilk 70% + Feather 30%
Legs Options	Metal
Colors	Chrome

Guarantee

Frame	Lifetime guarantee
Seat Suspension	10 years
Rest of Pieces	2 years*

*6-month guaranty extension by activating it on the web

Comments: [* You would like to know more? Check the FAQs section in our website](#)

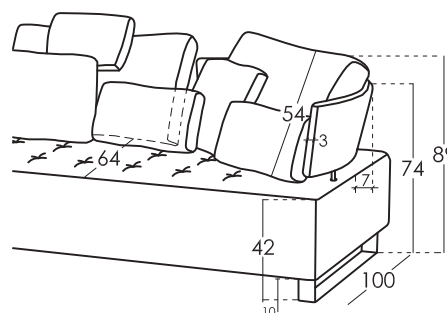
Cushions Measures

Back cushion	90x50
Butterfly headrest	53x48
Arm cushion	46x40
Magic swing	40x26
Corner back	80x50
Lumbar cushion	43x36

Measures

Width	x cm
Height	89 cm
Depth	100 cm
Seat Height	42 cm
Arm Height	74 cm
Back Height	54 cm
Depth when open	- cm
Net Weight	- kg
Gross Weight	- kg
Volume m3	- m3

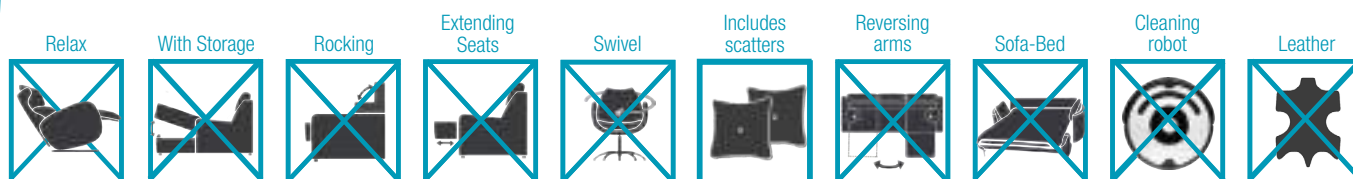
Scheme



Packaging

Shrink wrapping plastic packaging with protective corner brackets

Options



Types of Standard Foam

Hardness: Soft Grey colour 35Kg	Hardness: Medium: White colour 35Kg	Hardness: Hard: Green colour 30Kg
--	---	---

Types of Fire Retardant Foam

Hardness: Medium: Grey colour 41Kg	Hardness: Soft: White colour 36Kg
--	--

* You can request a different seat hardness from the standard of the model with a small price increase

PANKY is manufactured by Fama Sofás, whose quality system is certified by AENOR and IQNET, according to ISO 9001-2008, with certificate number ER 0790/1999. All models have passed the tests required for granting the quality control label from Aidima-Cetem laboratories.

